



**Independent**  
**Plant Hire** PTY/LTD  
*For all your Small Tools, Fixing Fasteners  
& Safety Equipment*

# RETAIL CATALOGUE

[iph-za.com](http://iph-za.com)



**JHB**

25 1st Street - Bezuidenhout Valley - Johannesburg - 2094  
TEL: +27 (0) 82 899 5616  
[sales@iph-za.com](mailto:sales@iph-za.com)

**CT**

Unit 7 - Epic Industrial Park - Bax Street - Maitland - CTN - 7405  
TEL: +27 (0) 21 510 1706  
MOB: +27 (0) 82 759 0391  
[gregg@iph-za.com](mailto:gregg@iph-za.com)  
[workshop@iph-za.com](mailto:workshop@iph-za.com)



**novopress**

**GEBERIT**

OFFICIAL TRAINING PARTNER

GRANT

GARY

BILL

STEVE



## RUBBERLINED GUIDE BRACKETS

s116766	11mm - 15mm
s116767	15mm - 19mm
s116768	20mm - 23mm
s116769	25mm - 28mm
s116771	32mm- 35mm
s116772	39mm - 46mm
s116773	48mm - 53mm
s116774	54mm - 58mm
s116775	59mm - 66mm
s116776	75mm - 80mm
s116777	87mm - 92mm
s116778	107mm - 115mm
s117506	120mm - 128mm
s117507	149mm - 161mm
rcp812193	193mm - 203mm

**Application**  
Two-piece pipe clamp with double thread connection (M8/M10) and sound absorption lining for the installatio of pipelines. Applicable for sound-absorbed installations according to DIN4109 specifications

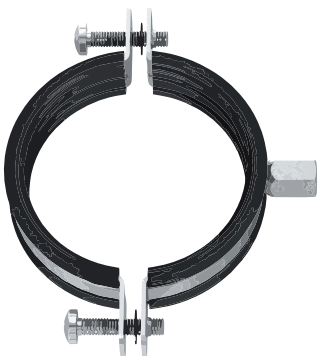
Size range [mm]	Max. perm. working load (tension)	Tightening torquw (Nm)
11-35	0.55kN	1
39-66	0.80kN	2
75-161	0.90kN	2



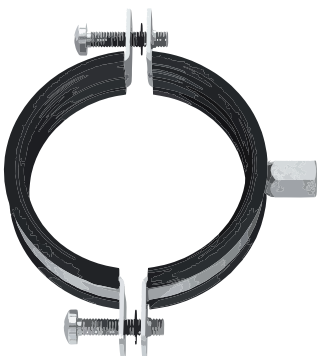
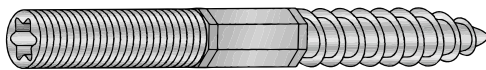
# RUBBERLINED GUIDE BRACKETS

## Application

Guide Brackets can either be installed with a wall plug and a bolt screw. Alternatively, you can use a drop in anchor and threaded rod.



M8/M10 option



M8/M10 option



Short 25mm anchor  
for use in post  
tension slabs.



Longer 40mm  
anchor for use in  
normal slabs.

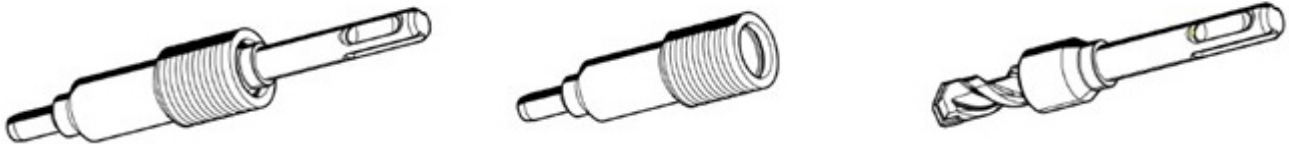


## Plug-on Setting Tool ASW

Group: 8103

### Application

The use of the Plug-on Setting Tool facilitates the assembly of Drop-In Anchors significantly. The reduction of assembly time and of the assembly effort enables an economical installation of the anchors.



## Drop-In Anchor AN ES

Group: 1401

### Application

Drop-In Anchor for single fixing in non-cracked concrete and multiple fixing in cracked concrete. Suitable for fixing pipelines, channels, etc. meeting the respective approval requirements. The anchor must only be used for dry interiors. For damp locations and outdoor constructions the stainless steel version is required.

- ◆ No special drill required
- ◆ Setting tool for distance-controlled forced expansion
- ◆ Suitable for push-through mounting



### Installation

As expansion tool use the respective Setting Tool for Drop-In Anchor. The "intelligent" expansion cone facilitates the mounting with bore dia. tolerances or varying concrete quality. By the controlled deformation of the cone during installation, the needed edge and centre distances are decreasing considerably.



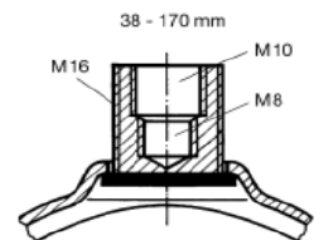
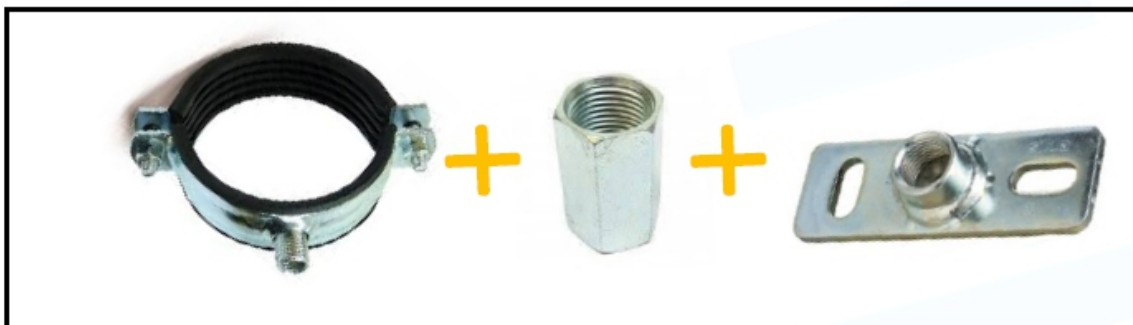


## ANCHOR POINT RATIO S and STABIL D-3G BRACKETS

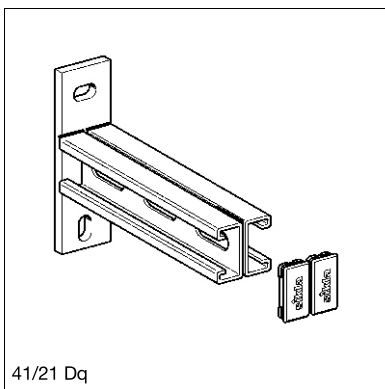
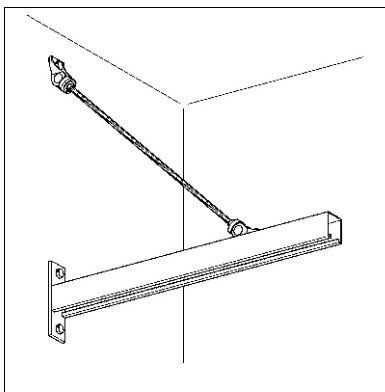
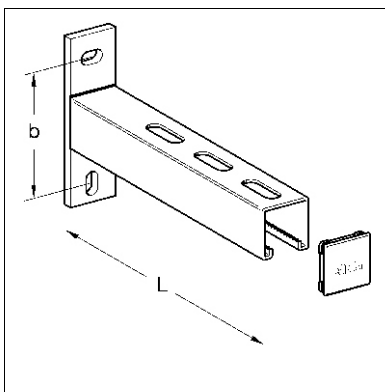
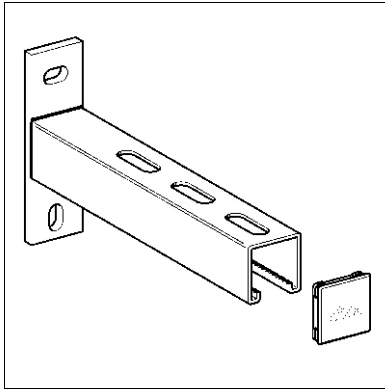
s154840	48mm - 56mm
s154859	57mm - 63mm
s154877	73mm - 80mm
s154886	83mm - 90mm
s154895	108mm - 114mm
s154901	116mm - 125mm
s154938	159mm - 170mm
s107194	199mm - 205mm
s107219	244mm - 250mm
s147600	310mm - 316mm

**Application**  
Suitable for installing pipe systems required for all M&E services. For connection options with adapter M12, M16, R1/2", R3/4" and R1". Designed for soundproof ceiling, floor and wall mounting.

Size range [mm]	Max. perm. working load (tension)	Tightening torquw (Nm)
12-35	1.00kN	2
38-90	1.50kN	2
108-170	2.20kN	3

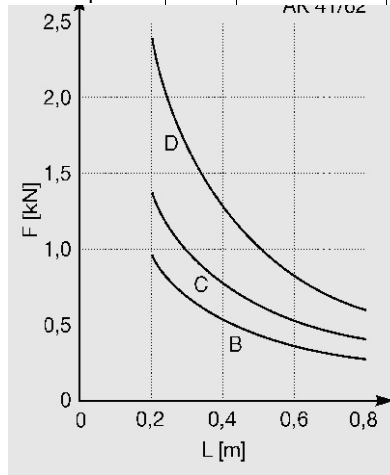


**sikla**



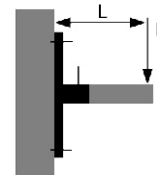
41/21 Dq

Type	L [mm]	Wall plate [mm]	b [mm]	Dimensions of elongated hole [mm]	W [kg]	Quantity [pack]	Part number
27/25 - 200	203	88 x 30 x 6	64	10 x 15	0.25	25	112326
27/25 - 250	253	88 x 30 x 6	64	10 x 15	0.29	25	112327
27/25 - 300	303	88 x 30 x 6	64	10 x 15	0.34	25	112328
27/25 - 500	503	88 x 30 x 6	64	10 x 15	0.49	25	112329
27/25 - 700	703	88 x 30 x 6	64	10 x 15	0.65	1	112330
27/37 - 300	304	88 x 30 x 6	64	10 x 15	0.43	25	111458
27/37 - 500	504	88 x 30 x 6	64	10 x 15	0.64	25	111459
27/37 - 700	704	88 x 30 x 6	64	10 x 15	0.84	1	111460
27/37 - 800	804	88 x 30 x 6	64	10 x 15	0.96	1	111461
41/41 - 200	196	134 x 40 x 8	100	13 x 18	0.68	10	115609
41/41 - 260	258	134 x 40 x 8	100	13 x 18	0.81	10	153973
41/41 - 320	321	134 x 40 x 8	100	13 x 18	0.92	10	115618
41/41 - 445	446	134 x 40 x 8	100	13 x 18	1.16	10	115627
41/41 - 570	571	134 x 40 x 8	100	13 x 18	1.41	10	115636
41/41 - 820	821	134 x 40 x 8	100	13 x 18	1.89	1	149268
41/41 - 1010	1008	134 x 40 x 8	100	13 x 18	2.25	1	149277
41/62 - 320	321	134 x 40 x 8	100	13 x 18	1.42	10	113296
41/62 - 445	446	134 x 40 x 8	100	13 x 18	1.76	10	113297
41/62 - 570	571	134 x 40 x 8	100	13 x 18	2.25	10	113298
41/62 - 820	821	134 x 40 x 8	100	13 x 18	3.05	1	113299
41/62 - 1010	1008	134 x 40 x 8	100	13 x 18	3.59	1	113300
27/25 q - 300	303	88 x 30 x 5	64	10 x 15	0.34	25	112366
41/21 Dq - 320	321	134 x 40 x 8	100	13 x 18	1.20	10	180164
41/21 Dq - 570	571	134 x 40 x 8	100	13 x 18	1.95	10	190424



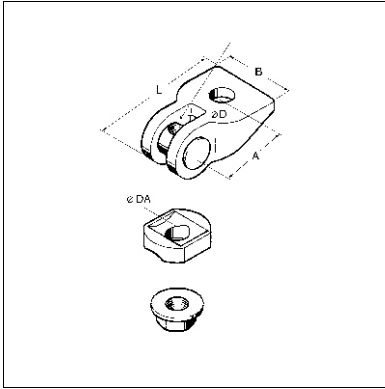
Anchor load classes

- A = 1.5 kN
- B = 2.5 kN
- C = 3.5 kN
- D = 6.0 kN



$\sigma_{perm} \leq 160 \text{ N/mm}^2$   
 $f_{perm} \leq L/150$  for  $L > 450 \text{ mm}$   
 $f_{perm} \leq 3 \text{ mm}$  for  $L \leq 450 \text{ mm}$

Material: Steel, electro-galvanised, Type Dq = HCP



### Universal Joint UG

Group: 1342

#### Application

Universal connection for attachment to non-horizontal components. May be fixed directly to building surfaces, Beam Clamps, channels, etc. Typical uses would include easy on-site manufacture of various tie rod assemblies to support brackets, or reinforcement struts for sliding and fixed point applications (UG FP types are specifically designed for assembly for pipe clamp wings for fixed point constructions).

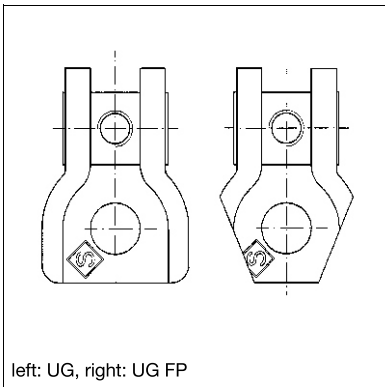
- ◆ Infinitely variable angle adjustment
- ◆ Length and height adjustment via rotation of the grub screw in the threaded pivot head
- ◆ Securely retained threaded pivot head
- ◆ Secure attachment of nut on the adapter plate.

#### Configuration

With adapter plate and locking nut.

#### Installation

Screw the grub screw completely into the pivot head (visual control). Fix the adjusted angle by tightening the supplied nut against the adapter plate.



#### Technical Data

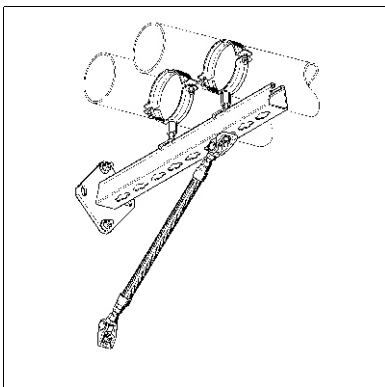
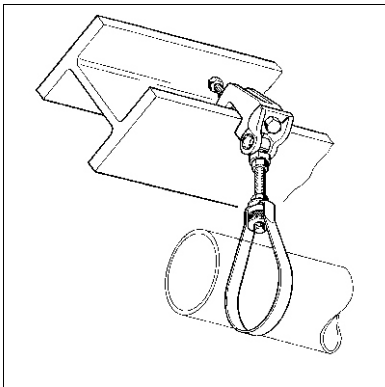
Type	Working load [kN]	Adapter plate Ø DA [mm]	Nut
UG M8	5.8	10.5	Flange nut
UG M10	8.0	10.5	Flange nut
UG M12	13.0	16.5	Flange nut
UG M16	13.0	16.5	Hexagon nut
UG FP M12	13.0	16.5	Hexagon nut
UG FP M16	13.0	16.5	Hexagon nut

Material: Steel, electro-galvanised (versions M8 and M10)  
Malleable cast iron, electro-galvanised (versions M12 and M16)

#### Approvals

VdS Approval G4980055 for types UG M8 to UG M16.

Type	Pivot head	A [mm]	B [mm]	Ø D [mm]	L [mm]	W [kg]	Quantity/ [pack]	Part number
UG M8	M 8	26	40	10.5	51	0.18	50	<b>198636</b>
UG M10	M10	26	40	10.5	51	0.12	50	<b>198643</b>
UG M12	M12	33	50	17.0	71	0.37	25	<b>158075</b>
UG M16	M16	33	50	17.0	71	0.36	25	<b>158084</b>
UG FP M12	M12	33	50	17.0	71	0.32	25	<b>158093</b>
UG FP M16	M16	33	50	17.0	71	0.31	25	<b>158109</b>





## PEAR SHAPED BRACKETS WITH KNURLED FLANGED NUT

<b>BPC-H28</b>	<b>27-28mm</b>
<b>BPC-H35</b>	<b>34-35mm</b>
<b>BPC-H45</b>	<b>42-45mm</b>
<b>BPC-H51</b>	<b>48-51mm</b>
<b>BPC-H51NA</b>	<b>48-51mm</b>
<b>BPC-H64</b>	<b>57-64mm</b>
<b>BPC-H76</b>	<b>70-76mm</b>
<b>BPC-H89</b>	<b>83-89mm</b>
<b>BPC-H108</b>	<b>102-108mm</b>
<b>BPC-H114</b>	<b>108-114mm</b>
<b>BPC-H114NA</b>	<b>108-114mm</b>
<b>BPC-H140</b>	<b>140mm</b>
<b>BPC-H168</b>	<b>165-168mm</b>



## Wall Plugs and Bolt Screws

<b>338709</b>	<b>Univ. anchor HUD-1 6x30 (200)</b>
<b>338710</b>	<b>Univ. anchor HUD-1 8x40 (200)</b>
<b>338711</b>	<b>Univ. anchor HUD-1 10x50 (100)</b>
<b>331619</b>	<b>Univ. anchor HUD-1 12x60</b>
<b>331620</b>	<b>Univ. anchor HUD-1 14x70</b>
<b>s124434</b>	<b>M8x50mm</b>
<b>s124443</b>	<b>M8x80mm</b>
<b>s124610</b>	<b>M8x100mm</b>
<b>s153469</b>	<b>M10x100</b>

**HILTI**



**sikla**



## Drop in Anchor and Threaded Rod

dia-06000	drop in anchor M6x25 E/G
dia-08000	drop in anchor M8x30 E/G
dia-10000	drop in anchor M10x40 E/G
dia-12000	drop in anchor M12x50 E/G
dia-16000	drop in anchor M16x65 E/G
dia-20000	drop in anchor M20x80 E/G
s116618	drop in anchor M8x25
s116619	drop in anchor M10x25
4145	8mmx3m
4099	10mmx3m
4104	12mmx3m
4111	16mmx3m
4117	20mmx3m

### STANDARD APPLICATION



### POST TENSION APPLICATION

**sikla**

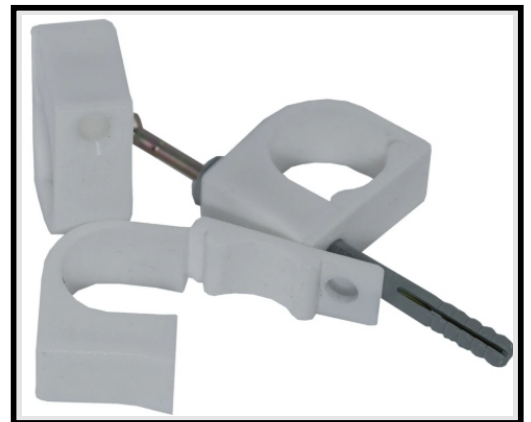
also  
available in  
1m





## Buddy Bats

033153	15MM BLACK 100 WITH ANCHOR
033159	15MM WHITE 100 WITH ANCHOR
033154	22MM BLACK 100 WITH ANCHOR
033160	22MM WHITE 100 WITH ANCHOR
033175	28MM WHITE 100 WITH ANCHOR
033178	32MM BLACK 100 WITH ANCHOR
033176	32MM WHITE 100 WITH ANCHOR



**BuddyBats are used to anchor plumbing pipes to walls, in loft spaces and in cavity walls. They can be used both internally and externally. Manufactured from UV stabilised Polypropylene, BuddyBats are considered a "green" product and are made to last. They are available in 4 different sizes: 15mm, 22mm, 28mm & 32mm as well as a variety of colours, the most popular being: White, Red, Blue and Brown.**



**Independent Plant Hire** PTY/LTD  
For all your Small Tools, Fixing Fasteners & Safety Equipment



**Ruwag offers high quality power tool accessories, we stock the complete range for all your drilling, sanding, cutting and fixing needs.**





# ROTHENBERGER



**Independent**  
**Plant Hire** PTY/LTD  
*For all your Small Tools, Fixing Fasteners  
& Safety Equipment*

**ROTHENBERGER**

**Rothenberger is a worldwide leader in producing innovative, technologically demanding pipe tools and machines.**

# ROTHENBERGER





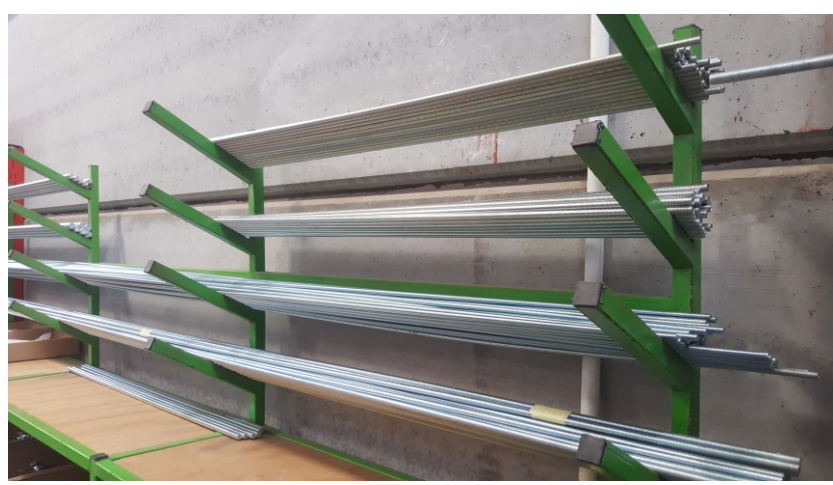


**Independent**  
**Plant Hire** PTY/LTD  
*For all your Small Tools, Fixing Fasteners  
& Safety Equipment*

## OTHER ITEMS







**Independent**  
**Plant Hire** PTY/LTD  
*For all your Small Tools, Fixing Fasteners  
& Safety Equipment*

## OTHER ITEMS

